

Z1960 8" DIAMETER A.R.E. SANI-FLOR RECEPTOR WITH 6" SUMP DEPTH

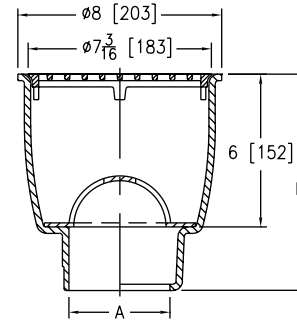


ENGINEERING SPECIFICATION

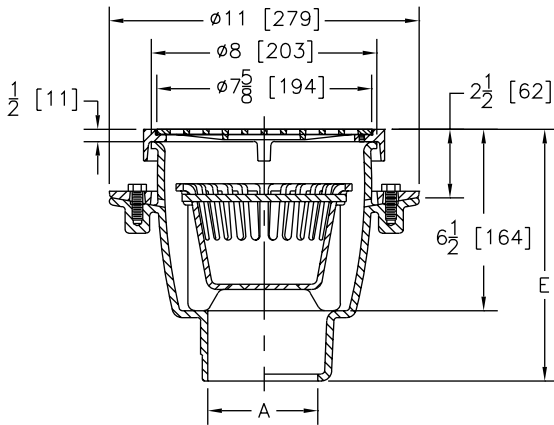
Zurn Z1960 Sani-Flor receptor features 8" diameter x 6" deep cast iron body and square hole, light-duty grate with white acid resisting porcelain enamel interior and top - complete with white ABS anti-splash interior bottom dome strainer.

NOTE

†Add 9/16" to 8" dimension when specifying ZN1960.



Dimensions in inches [mm]		Approximate Weight lb [kg]	Grate Open Area sq in [cm ²]
A Pipe Size/Outlet Type	E Body Height Dimensions		
	Z		
Inside Caulk (IC)			
3IC, 4IC	8-1/2 [216]	9 [229]	25 [11] 14 [6]
No-Hub (NH)			
2NH, 3NH, 4NH	8-1/2 [216]	9 [229]	25 [11] 14 [6]
Neo-Loc (NL)			
2NL, 3NL, 4NL	8 [203]	8-7/16 [214]	25 [11] 14 [6]



-T-KC-23 Options Shown

ZN1960-T-KC-23 Sani-Flor Receptor, 8-1/2" square frame x 7-5/8" round light-duty grate with 1/4" openings (-T) x 6-1/2" deep cast iron body with white acid resisting porcelain enamel interior and nickel bronze frame and grate with seepage flange with seepage holes and clamp collar (-KC) and aluminum bucket (-23).

PREFIXES	DESCRIPTION	A PIPE SIZE	Z (A.R.E.)	ZN (N.B.)
Z1960*	Cast Iron Body with White A.R.E. Interior and Top	2", 3", 4"	1,318.00	-
ZN1960†	Cast Iron Body with White A.R.E. Interior and Top, 8-1/2" Round N.B. Frame, and Full Grate with 1/2" Square Openings	2", 3, 4"	-	1,769.00

OUTLETS (SPECIFY PIPE SIZE IN INCHES AND TYPE OF OUTLET)			
OUTLET TYPE	PIPE SIZE/OUTLET TYPE	ADD	
IC	Inside Caulk	3IC, 4IC	N/C N/C
NH	No-Hub	2NH, 3NH, 4NH	N/C N/C
NL	Neo-Loc	2NL, 3NL, 4NL	N/C N/C

SUFFIXES		Z (A.R.E.)	ZN (N.B.)
-K	Anchor Flange	286.00	286.00
-KC	Anchor Flange with Seepage Holes and Clamp Collar	472.00	472.00
-P	1/2" Trap Primer Connection (See Z1023, NH Only)	194.00	194.00
-T	Square Frame and Round Grate with 1/4" Square Openings (ZN only)	N/A	245.00
-TC	Neo-Loc Test Cap Gasket (2", 3", 4" NL Bottom Outlet Only)	24.00	24.00
-2	1/2 Grate	N/C	N/C
-3	3/4 Grate	N/C	N/C
-4	Full Grate with Center Opening	178.00	178.00
-6	Grate with 6" Dia. x 6" High Funnel	488.00	626.00
-8	Grate with 8-7/8" x 3-5/8" x 3-3/4" High Oval Funnel	531.00	876.00
-11	Vandal-Proof Secured Grate (ZN only)	N/A	79.00
-15	Solid Loose Set Cover	98.00	171.00
-23	Aluminum Bucket	228.00	228.00
-25	White A.R.C. Bucket	538.00	538.00
-31	Stainless Steel Mesh Liner for Bucket	472.00	472.00
-32	Aluminum Dome Strainer	N/C	N/C
-33	White A.R.C. Anti-Splash Bottom Dome Strainer	318.00	318.00

DEDUCT		Z (A.R.E.)	ZN (N.B.)
-LD	Less Bottom Dome Strainer	- 61.00	- 61.00
-1	Less Grate	- 194.00	- 211.00

BEST SELLERS	LIST PRICE
Z1960-2NH	1,318.00
Z1960-2NH-2	1,318.00
Z1960-3NH	1,318.00
Z1960-3NH-2	1,318.00
Z1960-3NH-2-32	1,318.00
Z1960-3NH-2-KC	1,790.00
ZN1960-3NH-2	1,769.00
Z1960-3NL-2	1,318.00
Z1960-3NL-23-TC	1,570.00
ZN1960-3NL-2-23-K	2,283.00
ZN1960-3NL-2-23-KC	2,469.00

*Regularly furnished unless otherwise specified.

Items designated as Best Sellers are most specified and are generally in stock for shipment.

Ⓢ This symbol denotes a product that is engineered to reduce installation and rework time.

Supplied By:

877-903-7246
www.commercialplumbingsupply.com

For additional product information, please visit www.zurn.com